



Thermal Monocular  
FALCON Series

Quick Start Guide

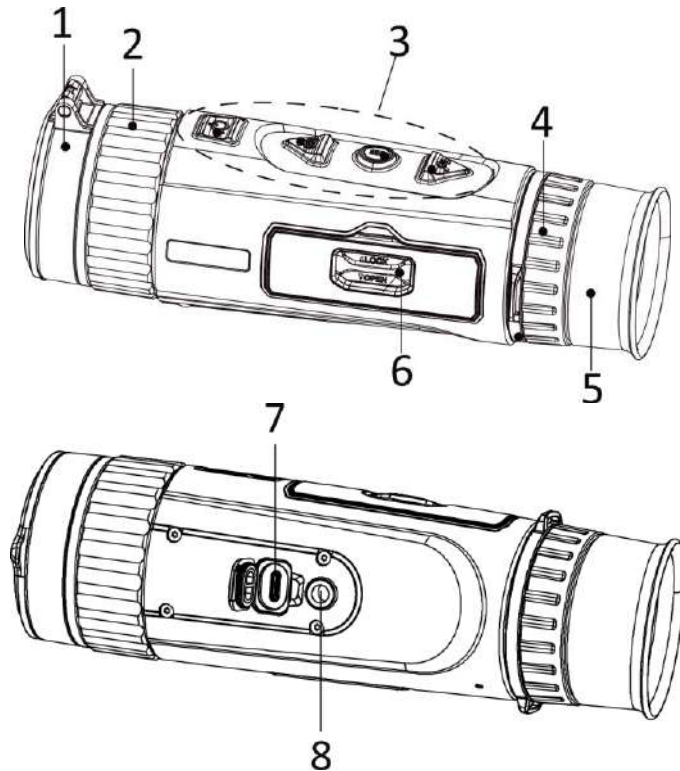


Contact Us

Thermal Monocular	<b>English</b>	1
Wärmebild-Monokular	<b>Deutsch</b>	5
Monoculaire thermique	<b>Français</b>	9
Monocular térmico	<b>Español</b>	13
Monóculo térmico	<b>Português</b>	17
Termocannocchiale monoculare	<b>Italiano</b>	21
Termovizní monokulár	<b>Čeština</b>	25
Termografický monokulár	<b>Slovenčina</b>	29
Monokular termowizyjny	<b>Polski</b>	33
Monokuláris hőkamera	<b>Magyar</b>	37
Cameră monocular cu termoviziune	<b>Română</b>	41
Топлинен монокуляр	<b>Български</b>	45
Thermische monoculair	<b>Nederlands</b>	49
Termisk monokulært kamera	<b>Dansk</b>	53
Termisk monokikkert	<b>Norsk</b>	57
Yksilinssinen lämpötähtäin	<b>Suomi</b>	61
Termisk tubkikare	<b>Svenska</b>	65

Terminis monokuliaras	<b>Lietuvių</b>	69
Монокулярный тепловизор	<b>Русский</b>	73
サーマル単眼鏡	<b>日本語</b>	77
열화상 단망경	<b>한국어</b>	83
單眼熱像儀	<b>繁體中文</b>	87



## 1. Appearance



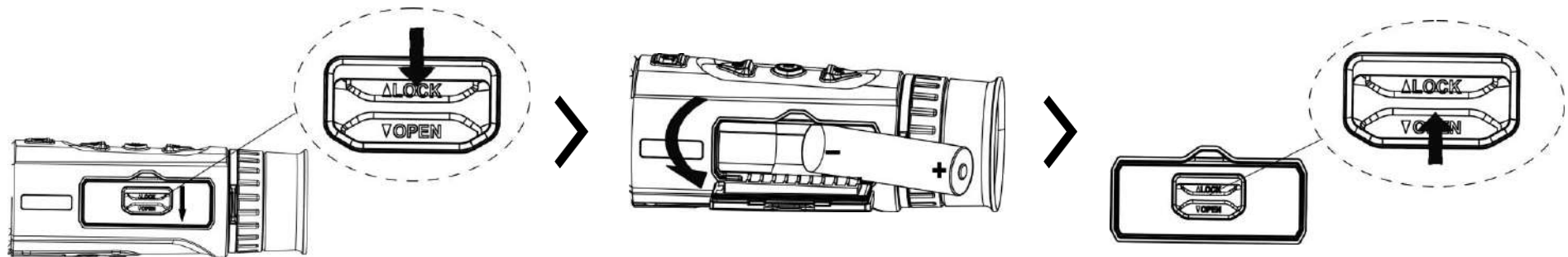
1. **Lens Cover:** Protects the lens.
2. **Focus Ring:** Adjusts focus to obtain clear targets.
3. **Buttons:** To set functions and parameters.
4. **Diopter Adjustment Ring:** Adjusts the dioptic.
5. **Eyepiece:** The piece placed closest to the eye to view target.
6. **Battery Compartment:** For holding the battery.
7. **Type-C Interface:** To connect the device to power supply or transmit data with a type-C cable.
8. **Tripod Mount:** Connects to the tripod.

### Button Description

	Power	<b>Press:</b> Standby mode/wake up device   <b>Hold:</b> Power on/off <i>* The power indicator stays solid red when the device is on.</i>
	Capture	<b>Non-Menu Mode:</b> <b>Press:</b> Capture snapshots   <b>Hold:</b> Start/stop recording videos

		<b>Menu Mode:</b> <b>Press:</b> Move up
	Menu	<b>Non-Menu Mode:</b> <b>Press:</b> Switch palettes   <b>Hold:</b> Enter menu <b>Menu Mode:</b> <b>Press:</b> Confirm/Set parameters.   <b>Hold:</b> Save and exit menu.
	Zoom	<b>Non-Menu Mode:</b> <b>Press:</b> Switch digital zoom   <b>Hold:</b> Correct non-uniformity of display (FFC) <b>Menu Mode:</b> <b>Press:</b> Move down

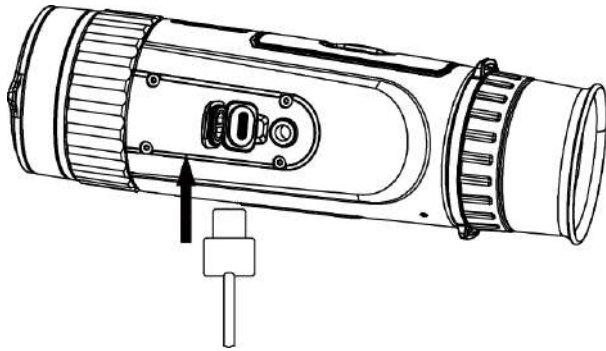
## 2. Install Battery



### Note:

- Take the battery away if you do not use the device for a long time.
- The battery type is 18650 with the protection board, and the battery size should be within 19 mm × 70 mm. The rated voltage and capacity are 3.6 VDC/3.35 Ah (12.06 Wh).

### 3. USB Connection



#### Steps

1. Turn on the device and lift the type-C interface cover.
2. Connect the device and power adapter with a type-C cable to power on the device.

### 4. App Connection




Android



iOS

- Firmware Upgrade
- Browse & Save Exciting Moment
- Preview & Remote Control
- How-to Videos
- Repair Records & Warranty Details

#### Steps

1. Scan the QR code to download and install the app.
2. Select  in the device menu to enable hotspot.
3. Turn on WLAN of your phone and connect to the device hotspot.
  - Hotspot Name: HIK-IPTS Serial No.
  - Hotspot Password: Go to **Hotspot** in the menu to check the password.

#### Note:

If the password is not displayed, please upgrade the device to the latest version. Or enter the Serial No.

as the password.

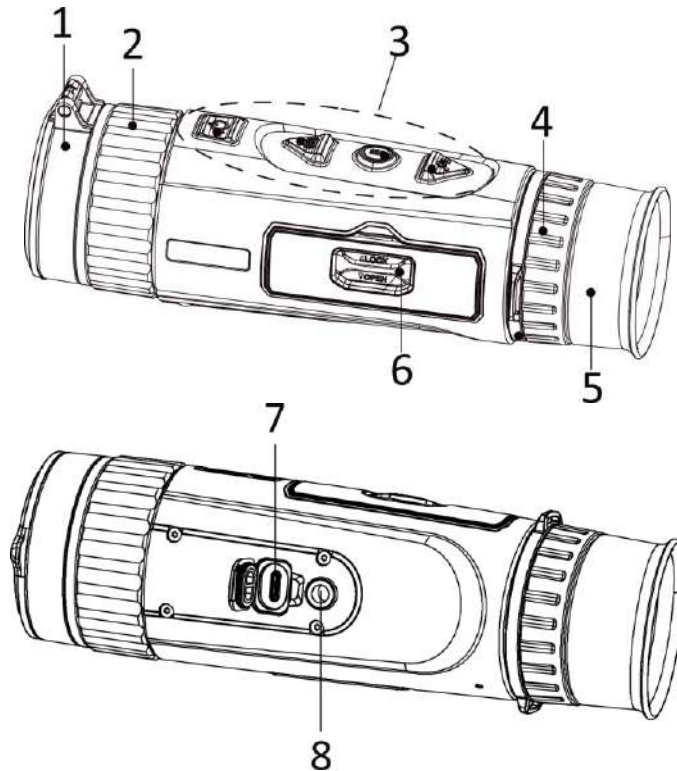
4. Open the app and connect your phone with the device. You can view the interface of device on your phone.

## **5. More Operations**

Scan the QR code to obtain the user manual for more detailed operations.







# 1. Aufbau



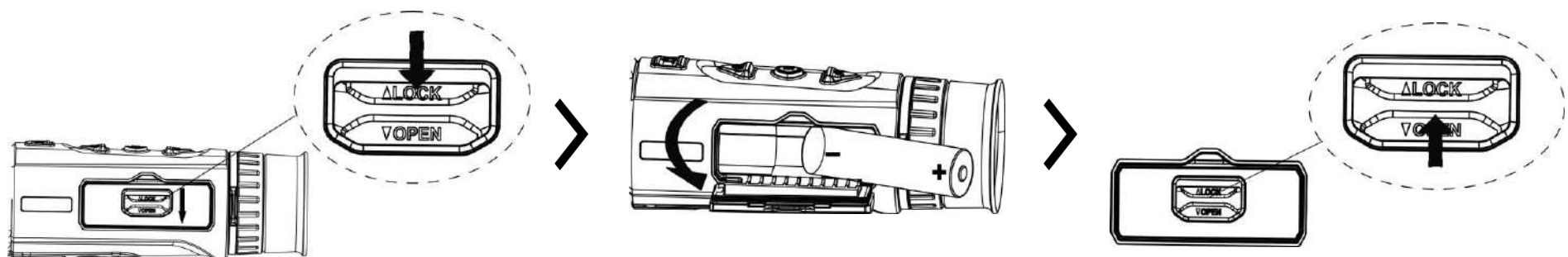
- 1. **Objektivdeckel:** Schützt das Objektiv.
- 2. **Fokusring:** Stellen Sie den Fokus ein, um die Ziele klar zu erkennen.
- 3. **Schaltflächen:** Zum Einstellen von Funktionen und Parametern.
- 4. **Dioptrieneinstellring:** Stellt die Dioptrienzahl ein.
- 5. **Okular:** Das Stück, das dem Auge am nächsten ist, um das Ziel zu sehen.
- 6. **Akkufach:** Zum Halten der Akkus.
- 7. **Type-C-Schnittstelle:** Schließen Sie das Gerät an die Stromversorgung an oder übertragen Sie Daten mit einem Type-C-Kabel.
- 8. **Befestigung für ein Stativ:** Zum Anschluss an das Stativ.

## Schaltfläche Beschreibung

	<p>Strom</p>	<p><b>Drücken:</b> Standby-Modus/Gerät aufwecken   <b>Gedrückt halten:</b> Ein-/Ausschalten</p> <p><i>* Die Betriebsanzeige leuchtet rot, wenn das Gerät eingeschaltet ist.</i></p>
---	--------------	---

	Erfassen	<p><b>Nicht-Menümodus:</b>  <b>Drücken:</b> Fotos aufnehmen   <b>Gedrückt halten:</b> Starten/stoppen der Videoaufnahme  <b>Menümodus:</b>  <b>Drücken:</b> Nach oben</p>
	Menü	<p><b>Nicht-Menümodus:</b>  <b>Drücken:</b> Paletten wechseln   <b>Gedrückt halten:</b> Menü aufrufen  <b>Menümodus:</b>  <b>Drücken:</b> Parameter bestätigen/einstellen.   <b>Gedrückt halten:</b> Speichern und Menü verlassen.</p>
	Zoom	<p><b>Nicht-Menümodus:</b>  <b>Drücken:</b> Digitalzoom umschalten   <b>Gedrückt halten:</b> Ungleichförmigkeit der Anzeige korrigieren (FFC)  <b>Menümodus:</b>  <b>Drücken:</b> Nach unten</p>

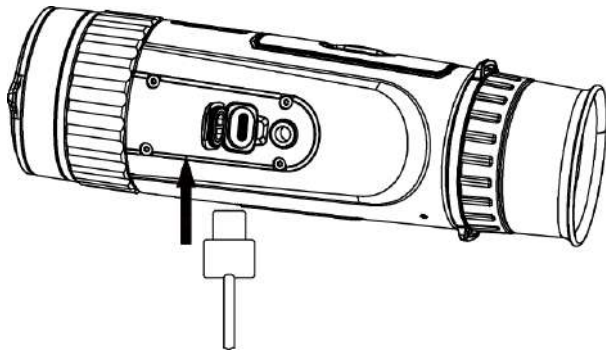
## 2. Akku einsetzen



### Hinweise:

- Wenn das Gerät längere Zeit nicht benutzt wird, entfernen Sie die Akkus.
- Der Akkutyp ist 18650 mit der Schutzplatine, und die Batteriegröße sollte innerhalb von 19 mm × 70 mm liegen. Die Nennspannung und -kapazität beträgt 3,6 VDC/3,35 Ah (12,06 Wh).

## 3. USB-Anschluss



### Schritte

1. Schalten Sie das Gerät ein und heben Sie die Abdeckung der Typ-C-Schnittstelle an.
2. Verbinden Sie Gerät und Netzadapter über ein USB-Type-C-Kabel, um das Gerät mit Strom zu versorgen.

## 4. App-Verbindung



Android




iOS

- Firmware-Aktualisierung
- Spannenden Moment durchsuchen und speichern
- Vorschau und Fernbedienung
- Anleitungsvideos
- Reparaturdatensätze und Garantiedetails

### Schritte

1. Scannen Sie den QR-Code, um die App herunterzuladen und zu installieren.

2. Wählen Sie  im Gerätemenü die Aktivierung des Hotspots aus.
3. Schalten Sie das WLAN Ihres Telefons ein und verbinden Sie sich mit dem Geräte-Hotspot.
  - Hotspot-Name: HIK-IPTS Seriennummer
  - Hotspot-Passwort: Gehen Sie im Menü auf **Hotspot**, um das Passwort zu überprüfen.

**Hinweis:**

Wenn das Passwort nicht angezeigt wird, aktualisieren Sie das Gerät bitte auf die neueste Version. Oder geben Sie die Seriennummer als Passwort ein.

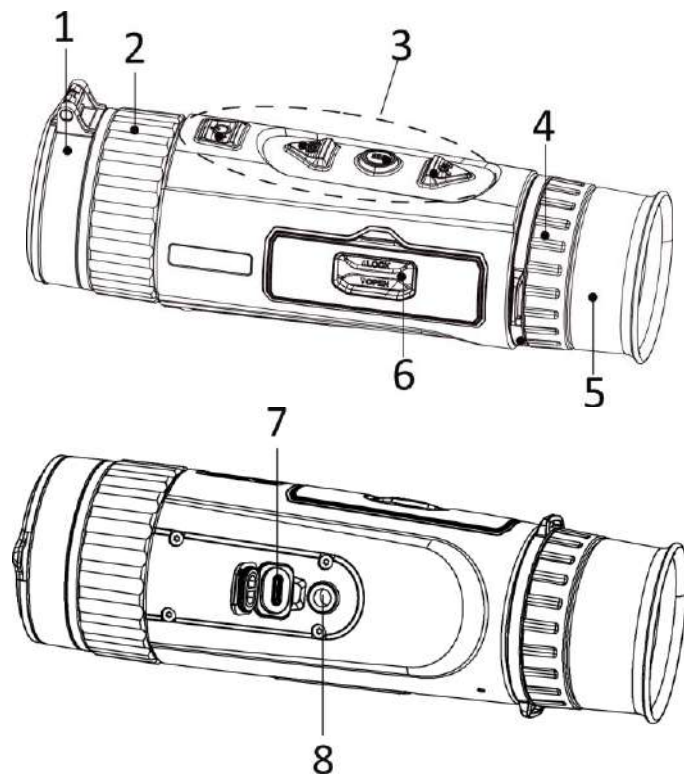
4. Öffnen Sie die App und verbinden Sie Ihr Smartphone mit dem Gerät. Sie können die Menüoberfläche des Geräts auf Ihrem Smartphone anzeigen.

## 5. Weitere Funktionen

Scannen Sie den QR-Code, um das Benutzerhandbuch für eine detailliertere Bedienung zu erhalten.







## 1. Apparence



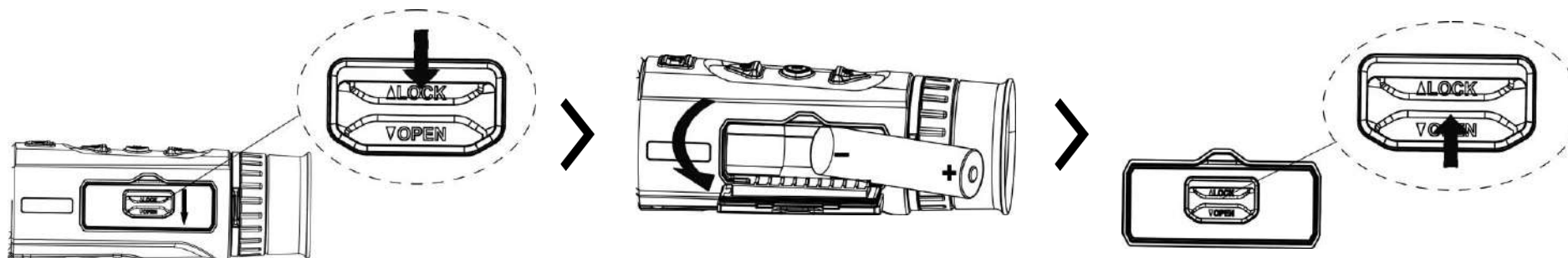
1. **Cache d'objectif** : Protège l'objectif.
2. **Bague de mise au point** : permet d'ajuster la mise au point pour obtenir des cibles nettes.
3. **Boutons** : permet de régler les fonctions et les paramètres.
4. **Bague de réglage dioptrique** : permet d'ajuster la dioptrique.
5. **Oculaire de visée** : pièce placée le plus près de l'œil pour voir la cible.
6. **Compartiment à batterie** : permet d'accueillir la batterie.
7. **Interface type-C** : Permet de connecter l'appareil à l'alimentation électrique ou de transmettre des données à l'aide d'un câble de type C.
8. **Fixation pour trépied** : permet de fixer le trépied.

### Description des boutons

	<p>Alimentation</p>	<p><b>Pression courte</b> : Mode veille/réactivation de l'appareil   <b>Maintenir enfoncé</b> : allumer/éteindre  <i>* L'indicateur d'alimentation reste rouge fixe lorsque l'appareil est en marche.</i></p>
---	---------------------	---

	<p>Capturer</p>	<p><b>En dehors du menu Mode :</b>  <b>Pression courte :</b> Capturer des instantanés   <b>Maintenir enfoncé :</b> Démarrer/arrêter l'enregistrement vidéo  <b>Dans le menu Mode :</b>  <b>Pression courte :</b> déplacer vers le haut</p>
	<p>Menu</p>	<p><b>En dehors du menu Mode :</b>  <b>Pression courte :</b> Modifier les palettes   <b>Maintenir enfoncé :</b> Accès au menu  <b>Dans le menu Mode :</b>  <b>Pression courte :</b> confirmer/définir des paramètres.   <b>Pression longue :</b> Enregistrer et quitter le menu.</p>
	<p>Zoom</p>	<p><b>En dehors du menu Mode :</b>  <b>Pression courte :</b> Modifier le zoom numérique   <b>Maintenir enfoncé :</b> corriger la non-uniformité de l'affichage (FFC)  <b>Dans le menu Mode :</b>  <b>Pression courte :</b> déplacer vers le bas</p>

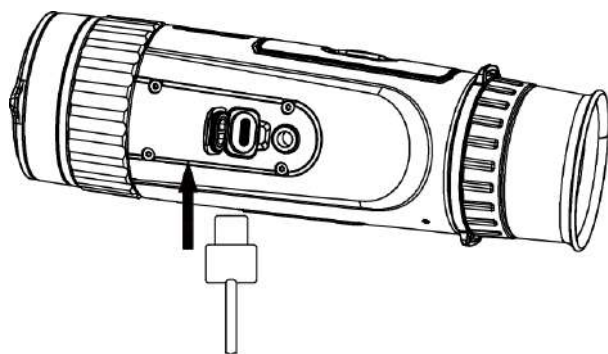
## 2. Installation de la batterie



### Remarque :

- Retirez la pile si vous ne prévoyez pas d'utiliser l'appareil pendant une longue période.
- La batterie de type 18650 est équipée d'une carte de protection. Les dimensions de la batterie sont de 19 x 70 mm. La tension et la capacité nominales de la batterie sont de 3,6 V CC/3,35 A h (12,06 W h).

## 3. Connexion USB



### Procédure

1. Mettez l'appareil en marche et soulevez le couvercle de l'interface de type C.
2. Pour mettre l'appareil sous tension, connectez un câble de type C entre l'appareil et l'adaptateur d'alimentation.

## 4. Connexion à l'application




Android



iOS

- Mise à niveau du micrologiciel
- Naviguer et sauvegarder un moment excitant
- Aperçu et commande à distance
- Vidéos de prise en main
- Archives de réparation et détails de garantie

## Procédure

1. Scannez le code QR pour télécharger et installer l'application.
2. Sélectionnez  dans le menu de l'appareil pour activer le point d'accès.
3. Activez le réseau local sans fil de votre téléphone et connectez-le au point d'accès de l'appareil.
  - Nom du point d'accès : HIK-IPTS N° de série
  - Mot de passe du point d'accès : Accédez à **Point d'accès** dans le menu pour vérifier le mot de passe.

## Remarque :

Si le mot de passe ne s'affiche pas, veuillez mettre à jour l'appareil vers la dernière version. Ou saisissez le numéro de série comme mot de passe.

4. Ouvrez l'application et connectez votre téléphone à l'appareil. Vous pouvez afficher l'interface de l'appareil sur votre téléphone.

## 5. Autres opérations

Scannez le code QR pour obtenir le manuel d'utilisation pour des opérations plus détaillées.




©2023 Hangzhou Microimage Software Co., Ltd. All rights reserved.

### About this Manual

The Manual includes instructions for using and managing the Product. Pictures, charts, images and all other information hereinafter are for description and explanation only. The information contained in the Manual is subject to change, without notice, due to firmware updates or other reasons. Please find the latest version of this Manual at the HIKMICRO website (www.hikmicrotech.com). Please use this Manual with the guidance and assistance of professionals trained in supporting the Product.

### Trademarks Acknowledgement

 HIKMICRO and other HIKMICRO's trademarks and logos are the properties of HIKMICRO in various jurisdictions.

Other trademarks and logos mentioned are the properties of their respective owners.

### LEGAL DISCLAIMER

TO THE MAXIMUM EXTENT PERMITTED BY APPLICABLE LAW, THIS MANUAL AND THE PRODUCT DESCRIBED, WITH ITS HARDWARE, SOFTWARE AND FIRMWARE, ARE PROVIDED "AS IS" AND "WITH ALL FAULTS AND ERRORS". HIKMICRO MAKES NO WARRANTIES, EXPRESS OR IMPLIED, INCLUDING WITHOUT LIMITATION, MERCHANTABILITY, SATISFACTORY QUALITY, OR FITNESS FOR A PARTICULAR PURPOSE. THE USE OF THE PRODUCT BY YOU IS AT YOUR OWN RISK. IN NO EVENT WILL HIKMICRO BE LIABLE TO YOU FOR ANY SPECIAL, CONSEQUENTIAL, INCIDENTAL, OR INDIRECT DAMAGES, INCLUDING, AMONG OTHERS, DAMAGES FOR LOSS OF BUSINESS PROFITS, BUSINESS INTERRUPTION, OR LOSS OF DATA, CORRUPTION OF SYSTEMS, OR LOSS OF DOCUMENTATION, WHETHER BASED ON BREACH OF CONTRACT, TORT (INCLUDING NEGLIGENCE), PRODUCT LIABILITY, OR OTHERWISE, IN CONNECTION WITH THE USE OF THE PRODUCT, EVEN IF HIKMICRO HAS BEEN ADVISED OF THE POSSIBILITY OF SUCH DAMAGES OR LOSS.

YOU ACKNOWLEDGE THAT THE NATURE OF THE INTERNET PROVIDES FOR INHERENT SECURITY RISKS, AND HIKMICRO SHALL NOT TAKE ANY RESPONSIBILITIES FOR ABNORMAL OPERATION, PRIVACY LEAKAGE OR OTHER DAMAGES RESULTING FROM CYBER-ATTACK, HACKER ATTACK, VIRUS INFECTION, OR OTHER INTERNET SECURITY RISKS; HOWEVER, HIKMICRO WILL PROVIDE TIMELY TECHNICAL SUPPORT IF REQUIRED.

YOU AGREE TO USE THIS PRODUCT IN COMPLIANCE WITH ALL APPLICABLE LAWS, AND YOU ARE SOLELY RESPONSIBLE FOR ENSURING THAT YOUR USE CONFORMS TO THE APPLICABLE LAW. ESPECIALLY, YOU ARE RESPONSIBLE, FOR USING THIS PRODUCT IN A MANNER THAT DOES NOT INFRINGE ON THE RIGHTS OF THIRD PARTIES, INCLUDING WITHOUT LIMITATION, RIGHTS OF PUBLICITY, INTELLECTUAL PROPERTY RIGHTS, OR DATA PROTECTION AND OTHER PRIVACY RIGHTS. YOU SHALL NOT USE THIS PRODUCT FOR ILLEGAL

HUNTING ANIMALS, INVASION OF PRIVACY OR ANY OTHER PURPOSE WHICH IS ILLEGAL OR DETRIMENTAL TO THE PUBLIC INTEREST. YOU SHALL NOT USE THIS PRODUCT FOR ANY PROHIBITED END-USES, INCLUDING THE DEVELOPMENT OR PRODUCTION OF WEAPONS OF MASS DESTRUCTION, THE DEVELOPMENT OR PRODUCTION OF CHEMICAL OR BIOLOGICAL WEAPONS, ANY ACTIVITIES IN THE CONTEXT RELATED TO ANY NUCLEAR EXPLOSIVE OR UNSAFE NUCLEAR FUEL-CYCLE, OR IN SUPPORT OF HUMAN RIGHTS ABUSES. IN THE EVENT OF ANY CONFLICTS BETWEEN THIS MANUAL AND THE APPLICABLE LAW, THE LATTER PREVAILS.

---

**These clauses apply only to the products bearing the corresponding mark or information.**

---

### FCC Information

Please take attention that changes or modification not expressly approved by the party responsible for compliance could void the user's authority to operate the equipment.

FCC compliance: This equipment has been tested and found to comply with the limits for a Class B digital device, pursuant to part 15 of the FCC Rules. These limits are designed to provide reasonable protection against harmful interference in a residential installation. This equipment generates, uses and can radiate radio frequency energy and, if not installed and used in accordance with the instructions, may cause harmful interference to radio communications. However, there is no guarantee that interference will not occur in a particular installation. If this equipment does cause harmful interference to radio or television reception, which can be determined by turning the equipment off and on, the user is encouraged to try to correct the interference by one or more of the following measures:

- Reorient or relocate the receiving antenna.
  - Increase the separation between the equipment and receiver.
  - Connect the equipment into an outlet on a circuit different from that to which the receiver is connected.
  - Consult the dealer or an experienced radio/TV technician for help
- FCC Conditions

This device complies with part 15 of the FCC Rules. Operation is subject to the following two conditions:

1. This device may not cause harmful interference.
2. This device must accept any interference received, including interference that may cause undesired operation.

Note: Due to the device size limit, the above statement may not be disclaimed on the device.

This equipment complies with FCC radiation exposure limits set forth for an uncontrolled environment.

#### EU Conformity Statement



This product and - if applicable - the supplied accessories too are marked with "CE" and comply therefore with the applicable harmonized European standards listed under the Directive 2014/30/EU (EMCD), Directive 2014/35/EU (LVD), Directive 2011/65/EU (RoHS), Directive 2014/53/EU.

Hereby, Hangzhou Microimage Software Co., Ltd. declares that this device (refer to the label) is in compliance with Directive 2014/53/EU.

The full text of the EU declaration of conformity is available at the following internet address: <https://www.hikmicrotech.com/en/support/download-center/declaration-of-conformity/>

#### Frequency Bands and Power (for CE)

The frequency bands and modes and the nominal limits of transmitted power (radiated and/or conducted) applicable to this radio device are the following: Wi-Fi 2.4 GHz (2.4 GHz to 2.4835 GHz), 20 dBm.



Directive 2012/19/EU (WEEE Directive): Products marked with this symbol cannot be disposed of as unsorted municipal waste in the European Union. For proper recycling, return this product to your local supplier upon the purchase of equivalent new equipment, or dispose of it at designated collection points. For more information see: [www.recyclethis.info](http://www.recyclethis.info).



Directive 2006/66/EC and its amendment 2013/56/EU (Battery Directive): This product contains a battery that cannot be disposed of as unsorted municipal waste in the European Union. See the product documentation for specific battery information. The battery is marked with this symbol, which may include lettering to indicate cadmium (Cd), lead (Pb), or mercury (Hg). For proper recycling, return the battery to your supplier or to a designated collection point. For more information see: [www.recyclethis.info](http://www.recyclethis.info).

#### Industry Canada ICES-003 Compliance

This device meets the CAN ICES-003 (B)/NMB-003(B) standards requirements.

This device complies with Industry Canada license-exempt RSS standard(s).

Operation is subject to the following two conditions:

- (1) this device may not cause interference, and
- (2) this device must accept any interference, including interference that may cause undesired operation of the device.

This equipment complies with IC RSS-102 radiation exposure limits set forth for an uncontrolled environment.

#### Safety Instruction

These instructions are intended to ensure that user can use the product correctly to avoid danger or property loss. Please read all the safety information carefully before using.

#### Laws and Regulations

Use of the product must be in strict compliance with the local electrical safety regulations.

#### Transportation

- Keep the device in original or similar packaging while transporting it.
- Keep all wrappers after unpacking them for future use. In case of any failure occurred, you need to return the device to the factory with the original wrapper.
- Transportation without the original wrapper may result in damage on the device and the company shall not take any responsibilities.
- Do not drop the product or subject it to physical shock. Keep the device away from magnetic interference.

#### Power Supply

- The input voltage for the device should meet the Limited Power Source (5 VDC, 2 A) according to the IEC61010-1 standard. Please refer to actual products and technical specifications for detailed information.
- Make sure the plug is properly connected to the power socket.
- DO NOT connect multiple devices to one power adapter, to avoid over-heating or fire hazards caused by overload.

#### Battery

- The external rechargeable battery type is 18650, and the battery size should be 19 mm × 70 mm. The rated voltage is 3.6 VDC, and the battery capacity is 3200 mAh.
- CAUTION: Risk of explosion if the battery is replaced by an incorrect type. Replace with the same or equivalent type only.
- Batteries of improper size cannot be installed, and may cause abnormal shutdown.
- Please purchase the batteries recommended by the manufacturer if necessary.
- The purchased batteries by users need to comply with the relevant international standards about battery safety (e.g. EN/IEC standards).
- Use the battery provided by qualified manufacturer. Refer to the product specification for detailed battery requirements.
- Dispose of used batteries according to the instructions.
- Remove the battery if you do not use the device for a long time.
- For long-term storage of the battery, make sure it is fully charged every half year to ensure the battery quality. Otherwise, damage may occur.
- Make sure the battery temperature is between 0°C to 45°C (32°F to 113°F) when charging.

- Do not dispose of the battery into fire or a hot oven, or mechanically crush or cut the battery, which may result in an explosion.
- Do not leave the battery in an extremely high temperature or low air pressure environment, which may result in an explosion or the leakage of flammable liquid or gas.
- Confirm there is no flammable material within 2 m of the charger during charging.
- DO NOT place the device with battery or the battery alone near heating or fire source. Avoid direct sunlight.
- DO NOT place the battery in the reach of children.
- DO NOT swallow the battery to avoid chemical burns.

#### **Maintenance**

- If the product does not work properly, please contact your dealer or the nearest service center. We shall not assume any responsibility for problems caused by unauthorized repair or maintenance.
- Wipe the device gently with a clean cloth and a small quantity of ethanol, if necessary.
- If the equipment is used in a manner not specified by the manufacturer, the protection provided by the device may be impaired.
- Clean the lens with soft and dry cloth or wiping paper to avoid scratching it.

#### **Using Environment**

- Make sure the running environment meets the requirement of the device. The operating temperature shall be -30 °C to 55 °C (-22 °F to 131 °F), and the operating humidity shall be from 5% to 95%.
- DO NOT expose the device to high electromagnetic radiation or dusty environments.
- DO NOT aim the lens at the sun or any other bright light.
- Place the device in a dry and well-ventilated environment.

#### **Emergency**

If smoke, odor, or noise arises from the device, immediately turn off the power, unplug the power cable, and contact the service center.

#### **Manufacture Address**

Room 313, Unit B, Building 2, 399 Danfeng Road, Xixing Subdistrict, Binjiang District, Hangzhou, Zhejiang 310052, China  
Hangzhou Microimage Software Co., Ltd.

COMPLIANCE NOTICE: The thermal series products might be subject to export controls in various countries or regions, including without limitation, the United States, European Union, United Kingdom and/or other member countries of the Wassenaar Arrangement. Please consult your professional legal or compliance expert or local government authorities for any necessary export license

requirements if you intend to transfer, export, re-export the thermal series products between different countries.

**Deutsch**

#### **HAFTUNGSAUSSCHLUSS**

DIESE BEDIENUNGSANLEITUNG UND DAS BESCHRIEBENE PRODUKT MIT SEINER HARDWARE, SOFTWARE UND FIRMWARE WERDEN, SOWEIT GESETZLICH ZULÄSSIG, IN DER „VORLIEGENDEN FORM“ UND MIT „ALLEN FEHLERN UND IRRTÜMERN“ BEREITGESTELLT. HIKMICRO GIBT KEINE GARANTIEN, WEDER AUSDRÜCKLICH NOCH STILLSCHWEIGEND, EINSCHLIEßLICH, ABER OHNE DARAUF BESCHRÄNKT ZU SEIN, MARKTGÄNGIGKEIT, ZUFRIEDENSTELLENDEN QUALITÄT ODER EIGNUNG FÜR EINEN BESTIMMTEN ZWECK. DIE NUTZUNG DES PRODUKTS DURCH SIE ERFOLGT AUF IHRE EIGENE GEFAHR. IN KEINEM FALL IST HIKMICRO IHNEN GEGENÜBER HAFTBAR FÜR BESONDERE, ZUFÄLLIGE, DIREKTE ODER INDIREKTE SCHÄDEN, EINSCHLIEßLICH, ABER OHNE DARAUF BESCHRÄNKT ZU SEIN, VERLUST VON GESCHÄFTSGEWINNEN, GESCHÄFTSUNTERBRECHUNG, DATENVERLUST, SYSTEMBESCHÄDIGUNG, VERLUST VON DOKUMENTATIONEN, SEI ES AUFGRUND VON VERTRAGSBRUCH, UNERLAUBTER HANDLUNG (EINSCHLIEßLICH FAHRLÄSSIGKEIT), PRODUKTHAFTUNG ODER ANDERWEITIG, IN VERBINDUNG MIT DER VERWENDUNG DIESES PRODUKTS, SELBST WENN HIKMICRO ÜBER DIE MÖGLICHKEIT DERARTIGER SCHÄDEN ODER VERLUSTE INFORMIERT WAR. SIE ERKENNEN AN, DASS DIE NATUR DES INTERNETS DAMIT VERBUNDENE SICHERHEITSRISIKEN BEINHÄLTET. HIKMICRO ÜBERNIMMT KEINE VERANTWORTUNG FÜR ANORMALEN BETRIEB, DATENVERLUST ODER ANDERE SCHÄDEN, DIE SICH AUS CYBERANGRIFFEN, HACKERANGRIFFEN, VIRUSINFESTION ODER ANDEREN SICHERHEITSRISIKEN IM INTERNET ERGEBEN. HIKMICRO WIRD JEDOCH BEI BEDARF ZEITNAH TECHNISCHEM SUPPORT LEISTEN.

SIE STIMMEN ZU, DIESES PRODUKT IN ÜBEREINSTIMMUNG MIT ALLEN GELTENDEN GESETZEN ZU VERWENDEN, UND SIE SIND ALLEIN DAFÜR VERANTWORTLICH, DASS IHRE VERWENDUNG GEGEN KEINE GELTENDEN GESETZE VERSTÖßT. INSBESONDERE SIND SIE DAFÜR VERANTWORTLICH, DIESES PRODUKT SO ZU VERWENDEN, DASS DIE RECHTE DRITTER NICHT VERLETZT WERDEN, EINSCHLIEßLICH, ABER NICHT BESCHRÄNKT AUF VERÖFFENTLICHUNGSRECHTE, DIE RECHTE AN GEISTIGEM EIGENTUM ODER DEN DATENSCHUTZ UND ANDERE PERSÖNLICHKEITSRECHTE. DIESES PRODUKT DARF NICHT FÜR DIE ILLEGALE JAGD AUF TIERE, DIE VERLETZUNG DER PRIVATSPHÄRE ODER FÜR EINEN ANDEREN ZWECK VERWENDET WERDEN, DER ILLEGAL ODER DEM ÖFFENTLICHEN INTERESSE ABTRÄGLICH IST. SIE DÜRFEN DIESES PRODUKT NICHT FÜR VERBOTENE ENDANWENDUNGEN VERWENDEN, EINSCHLIEßLICH DER ENTWICKLUNG ODER HERSTELLUNG VON MASSENVERNICHTUNGSWAFFEN, DER


ENTWICKLUNG ODER HERSTELLUNG CHEMISCHER ODER BIOLOGISCHER WAFFEN, JEDLICHER AKTIVITÄTEN IM ZUSAMMENHANG MIT EINEM NUKLEAREN SPRENGKÖRPER ODER UNSICHEREN NUKLEAREN BRENNSTOFFKREISLAUF BZW. ZUR UNTERSTÜTZUNG VON MENSCHENRECHTSVERLETZUNGEN.  
IM FALL VON WIDERSPRÜCHEN ZWISCHEN DIESER BETRIEBANLEITUNG UND GELTENDEM RECHT IST LETZTERES MASSGEBLICH.

---

**Diese Bestimmungen gelten nur für Produkte, die das entsprechende Zeichen oder die entsprechenden Informationen tragen.**

---

### EU-Konformitätserklärung

 Dieses Produkt und – gegebenenfalls – das mitgelieferte Zubehör tragen das „CE“-Kennzeichen und entsprechen daher den geltenden harmonisierten europäischen Normen, die in der Richtlinie 2014/30/EU (EMV), der Richtlinie 2014/35/EU (NSR), der Richtlinie 2011/65/EU (RoHS) und der Richtlinie 2014/53/EU (RED) aufgeführt sind. Hiermit erklärt Hangzhou Microimage Software Co., Ltd., dass dieses Gerät (siehe Etikett) mit der Richtlinie 2014/53/EU übereinstimmt. Der vollständige Text der EU-Konformitätserklärung ist unter folgender Internetadresse abrufbar: <https://www.hikmicrotech.com/en/support/download-center/declaration-of-conformity/>.

### Frequenzbänder und Leistung (für CE)

Die für dieses Funkgerät geltenden Frequenzbänder und Modi und Nenngrenzwerte der Sendeleistung (abgestrahlt und/oder leitungsgeführt) sind folgende: WLAN 2,4 GHz (2,4 GHz bis 2,4835 GHz), 20 dBm.



Richtlinie 2012/19/EU (WEEE-Richtlinie): Produkte, die mit diesem Symbol gekennzeichnet sind, dürfen innerhalb der Europäischen Union nicht mit dem Hausmüll entsorgt werden. Für korrektes

Recycling geben Sie dieses Produkt an Ihren örtlichen Fachhändler zurück oder entsorgen Sie es an einer der Sammelstellen. Weitere Informationen finden Sie unter: [www.recyclethis.info](http://www.recyclethis.info).



Richtlinie 2006/66/EG und ihre Änderung 2013/56/EU (batterierichtlinie): Dieses Produkt enthält einen Akku, der innerhalb der Europäischen Union nicht mit dem Hausmüll entsorgt werden darf. Siehe Produktdokumentation für spezifische Hinweise zu Akkus oder Batterien. Der Akku ist mit diesem Symbol

gekennzeichnet, das zusätzlich die Buchstaben Cd für Cadmium, Pb für Blei oder Hg für Quecksilber enthalten kann. Für korrektes Recycling geben Sie die Akkus/Batterien an Ihren örtlichen Fachhändler zurück oder entsorgen Sie sie an

einer der Sammelstellen. Weitere Informationen finden Sie unter: [www.recyclethis.info](http://www.recyclethis.info).

### INFORMATIONEN FÜR PRIVATE HAUSHALTE

#### 1. Getrennte Erfassung von Altgeräten:

Elektro- und Elektronikgeräte, die zu Abfall geworden sind, werden als Altgeräte bezeichnet. Besitzer von Altgeräten haben diese einer vom unsortierten Siedlungsabfall getrennten Erfassung zuzuführen. Altgeräte gehören insbesondere nicht in den Hausmüll, sondern in spezielle Sammel- und Rückgabesysteme.

#### 2. Batterien und Akkus sowie Lampen:

Besitzer von Altgeräten haben Altbatterien und Altakkumulatoren, die nicht vom Altgerät umschlossen sind, die zerstörungsfrei aus dem Altgerät entnommen werden können, im Regelfall vor der Abgabe an einer Erfassungsstelle vom Altgerät zu trennen. Dies gilt nicht, soweit Altgeräte einer Vorbereitung zur Wiederverwendung unter Beteiligung eines öffentlich-rechtlichen Entsorgungsträgers zugeführt werden.

#### 3. Möglichkeiten der Rückgabe von Altgeräten:

Besitzer von Altgeräten aus privaten Haushalten können diese bei den Sammelstellen der öffentlich-rechtlichen Entsorgungsträger oder bei den von Herstellern oder Vertriebern im Sinne des ElektroG eingerichteten Rücknahmestellen unentgeltlich abgeben. Rücknahmepflichtig sind Geschäfte mit einer Verkaufsfläche von mindestens 400 m<sup>2</sup> für Elektro- und Elektronikgeräte sowie diejenigen Lebensmittelgeschäfte mit einer Gesamtverkaufsfläche von mindestens 800 m<sup>2</sup>, die mehrmals pro Jahr oder dauerhaft Elektro- und Elektronikgeräte anbieten und auf dem Markt bereitstellen. Dies gilt auch bei Vertrieb unter Verwendung von Fernkommunikationsmitteln, wenn die Lager- und Versandflächen für Elektro- und Elektronikgeräte mindestens 400 m<sup>2</sup> betragen oder die gesamten Lager- und Versandflächen mindestens 800 m<sup>2</sup> betragen. Vertrieber haben die Rücknahme grundsätzlich durch geeignete Rückgabemöglichkeiten in zumutbarer Entfernung zum jeweiligen Endnutzer zu gewährleisten. Die Möglichkeit der unentgeltlichen Rückgabe eines Altgerätes besteht bei rücknahmepflichtigen Vertriebern unter anderem dann, wenn ein neues gleichartiges Gerät, das im Wesentlichen die gleichen Funktionen erfüllt, an einen Endnutzer abgegeben wird.

#### 4. Datenschutz-Hinweis:

Altgeräte enthalten häufig sensible personenbezogene Daten. Dies gilt insbesondere für Geräte der Informations- und Telekommunikationstechnik wie Computer und Smartphones. Bitte beachten Sie in Ihrem eigenen Interesse, dass für die Löschung der Daten auf den zu entsorgenden Altgeräten jeder Endnutzer selbst verantwortlich ist.

#### 5. Bedeutung des Symbols „durchgestrichene Mülltonne“:



Das auf Elektro- und Elektronikgeräten regelmäßig abgebildete Symbol einer durchgestrichenen Mülltonne weist darauf hin, dass das jeweilige Gerät am Ende seiner Lebensdauer getrennt vom unsortierten Siedlungsabfall zu erfassen ist.

### **Sicherheitshinweis**

Diese Anleitungen sollen gewährleisten, dass Sie das Produkt korrekt verwenden, um Gefahren oder Sachschäden zu vermeiden. Bitte lesen Sie alle Sicherheitshinweise sorgfältig durch, bevor Sie das Gerät in Betrieb nehmen.

### **Gesetze und Vorschriften**

Die Verwendung des Produkts muss in strikter Übereinstimmung mit den örtlichen Vorschriften zur elektrischen Sicherheit erfolgen.

### **Transportwesen**

- Bewahren Sie das Gerät beim Transport in der ursprünglichen oder einer vergleichbaren Verpackung auf.
- Bewahren Sie das gesamte Verpackungsmaterial nach dem Auspacken für zukünftigen Gebrauch auf. Im Falle eines Fehlers müssen Sie das Gerät in der Originalverpackung an das Werk zurücksenden.
- Beim Transport ohne Originalverpackung kann das Gerät beschädigt werden und wir übernehmen keine Verantwortung.
- Lassen Sie das Produkt nicht fallen und vermeiden Sie heftige Stöße. Halten Sie das Gerät von magnetischen Störungen fern.

### **Spannungsversorgung**

- Die Eingangsspannung für das Gerät muss den Anforderungen der begrenzten Stromquelle (5 VDC, 2 A) gemäß der Norm IEC61010-1 entsprechen. Detaillierte Informationen entnehmen Sie bitte den aktuellen Produkten und technischen Spezifikationen.
- Stellen Sie sicher, dass der Stecker richtig in der Steckdose steckt.
- Verbinden Sie NICHT mehrere Geräte mit einem Netzteil, da es andernfalls durch Überlastung zu einer Überhitzung oder einem Brand kommen kann.

### **Akku**

- Die externe wiederaufladbare Batterie ist vom Typ 18650 und die Batteriegröße sollte 19 mm × 70 mm betragen. Die Nennspannung beträgt 3,6 VDC und die Akkukapazität beträgt 3200 mAh.
- ACHTUNG: Bei Austausch der Batterie durch einen falschen Typ besteht Explosionsgefahr. Tauschen Sie stets gegen den gleichen oder äquivalenten Typ aus.
- Akkus mit einer falschen Größe können nicht eingesetzt werden und ein abnormales Abschalten bewirken.
- Wenn nötig, kaufen Sie bitte die vom Hersteller empfohlenen Batterien.
- Die von den Benutzern gekauften Akkus müssen den entsprechenden internationalen Normen über die Sicherheit von Akkus entsprechen (z. B. EN/IEC-Normen).

- Verwenden Sie nur einen von einem qualifizierten Hersteller gelieferten Akku. Detaillierte Angaben zu den Batterie-/Akku-Anforderungen finden Sie in der Produktspezifikation.
- Entsorgen Sie die verbrauchten Batterien gemäß den Anweisungen.
- Wenn das Gerät längere Zeit nicht benutzt wird, entfernen Sie die Akkus.
- Achten Sie bei langfristiger Lagerung des Akkus darauf, dass er alle sechs Monate vollständig geladen wird, um seine Lebensdauer zu gewährleisten. Anderenfalls kann es zu Schäden kommen.
- Achten Sie darauf, dass die Akkutemperatur beim Aufladen zwischen 0 °C und 45 °C liegt.
- Batterien nicht durch Verbrennen, in einem heißen Ofen oder Zerkleinern oder Zerschneiden entsorgen. Das kann zu einer Explosion führen.
- Bewahren Sie Batterien nicht in einer Umgebung mit extrem hoher Temperatur auf. Das kann zu einer Explosion oder zum Auslaufen von entflammbarer Flüssigkeit oder Gas führen.
- Stellen Sie sicher, dass sich während des Ladevorgangs im Umkreis von 2 m um das Ladegerät kein brennbares Material befindet.
- Lagern Sie das Gerät mit dem Akku oder den Akku selbst NICHT in unmittelbarer Nähe einer Wärme- oder Feuerquelle. Keinem direkten Sonnenlicht aussetzen.
- Bewahren Sie den Akku NICHT in der Reichweite von Kindern auf.
- Den Akku NICHT verschlucken, es besteht Verätzungsgefahr.

### **Wartung**

- Falls das Produkt nicht einwandfrei funktionieren sollte, wenden Sie sich an Ihren Händler oder den nächstgelegenen Kundendienst. Wir übernehmen keine Haftung für Probleme, die durch nicht Reparatur- oder Instandhaltungsarbeiten von nicht autorisierten Dritten verursacht werden.
- Wischen Sie das Gerät bei Bedarf sanft mit einem sauberen Tuch und einer geringen Menge Ethanol ab.
- Wenn das Gerät nicht vom Hersteller vorgegebenem Sinne genutzt wird, kann der durch das Gerät bereitgestellte Schutz beeinträchtigt werden.
- Reinigen Sie das Objektiv mit einem weichen und trockenen Tuch oder Wischpapier, um Kratzer zu vermeiden.

### **Einsatzumgebung**

- Achten Sie darauf, dass die Betriebsumgebung den Anforderungen des Geräts entspricht. Die Betriebstemperatur muss zwischen -30 °C und 55 °C liegen, die Luftfeuchtigkeit muss zwischen 5 % und 95 % betragen.
- Setzen Sie das Gerät KEINER hohen elektromagnetischen Strahlung oder staubigen Umgebungen aus.
- Richten Sie das Objektiv NICHT auf die Sonne oder eine andere helle Lichtquelle.
- Stellen Sie das Gerät an einem kühlen und gut belüfteten Ort auf.

### **Notruf**

Sollten sich Rauch, Gerüche oder Geräusche in dem Gerät entwickeln, so schalten Sie es unverzüglich aus und ziehen Sie den Netzstecker. Wenden Sie sich dann an den Kundendienst.

#### **Anschrift des Herstellers**

Raum 313, Einheit B, Gebäude 2, 399 Danfeng-Straße, Gemarkung Xixing, Stadtbezirk Binjiang, Hangzhou, Zhejiang 310052, China  
Hangzhou Microimage Software Co., Ltd.

RECHTLICHER HINWEIS: Die Produkte der Wärmebildkamera-Serie unterliegen unter Umständen in verschiedenen Ländern oder Regionen Exportkontrollen, wie zum Beispiel in den Vereinigten Staaten, der Europäischen Union, dem Vereinigten Königreich und/oder anderen Mitgliedsländern des Wassenaar-Abkommens. Bitte informieren Sie sich bei Ihrem Rechtsexperten oder bei den örtlichen Behörden über die erforderlichen Exportlizenzen, wenn Sie beabsichtigen, die Produkte der Wärmebildkamera-Serie in verschiedene Länder zu transferieren, zu exportieren oder zu reexportieren.

**Français**


#### **MENTIONS LÉGALES**

DANS LES LIMITES AUTORISÉES PAR LA LOI EN VIGUEUR, LE PRÉSENT MANUEL ET LE PRODUIT DÉCRIT, AINSI QUE SON MATÉRIEL, SES LOGICIELS ET SES MICROLOGICIELS, SONT FOURNIS « EN L'ÉTAT » ET « AVEC CES FAIBLESSES ET ERREURS ». HIKMICRO NE FAIT AUCUNE GARANTIE, EXPLICITE OU IMPLICITE, Y COMPRIS, MAIS SANS S'Y LIMITER, DE QUALITÉ MARCHANDE, DE QUALITÉ SATISFAISANTE, OU D'ADÉQUATION À UN USAGE PARTICULIER. VOUS UTILISEZ LE PRODUIT À VOS PROPRES RISQUES. EN AUCUN CAS, HIKMICRO NE SERA TENU RESPONSABLE DE TOUT DOMMAGE SPÉCIAL, CONSÉCUTIF, ACCESSOIRE OU INDIRECT, Y COMPRIS, ENTRE AUTRES, LES DOMMAGES RELATIFS À LA PERTE DE PROFITS D'ENTREPRISE, À L'INTERRUPTION D'ACTIVITÉS COMMERCIALES, OU LA PERTE DES DONNÉES, LA CORRUPTION DES SYSTÈMES, OU LA PERTE DES DOCUMENTS, S'ILS SONT BASÉS SUR UNE VIOLATION DE CONTRAT, UNE FAUTE (Y COMPRIS LA NÉGLIGENCE), LA RESPONSABILITÉ EN MATIÈRE DE PRODUITS, OU AUTRE, EN RAPPORT AVEC L'UTILISATION DU PRODUIT, MÊME SI HIKMICRO A ÉTÉ INFORMÉ DE LA POSSIBILITÉ D'UN TEL DOMMAGE OU D'UNE TELLE PERTE. VOUS RECONNAISSEZ QUE LA NATURE D'INTERNET EST SOURCE DE RISQUES DE SÉCURITÉ INHÉRENTS, ET HIKMICRO SE DÉGAGE DE TOUTE RESPONSABILITÉ EN CAS DE FONCTIONNEMENT ANORMAL, DIVULGATION D'INFORMATIONS CONFIDENTIELLES OU AUTRES DOMMAGES DÉCOULANT D'UNE CYBERATTAQUE, D'UN PIRATAGE INFORMATIQUE, D'UNE INFECTIION PAR DES VIRUS, OU AUTRES RISQUES DE SÉCURITÉ LIÉS À INTERNET ; TOUTEFOIS, HIKMICRO FOURNIRA UNE ASSISTANCE TECHNIQUE DANS LES DÉLAIS SI NÉCESSAIRE.

VOUS ACCEPTEZ D'UTILISER CE PRODUIT CONFORMÉMENT À L'ENSEMBLE DES LOIS EN VIGUEUR. IL EST DE VOTRE RESPONSABILITÉ EXCLUSIVE DE VEILLER À CE QUE VOTRE UTILISATION SOIT CONFORME À LA LOI APPLICABLE. IL VOUS APPARTIENNT SURTOUT D'UTILISER CE PRODUIT D'UNE MANIÈRE QUI NE PORTE PAS ATTEINTE AUX DROITS DE TIERS, Y COMPRIS, MAIS SANS S'Y LIMITER, LES DROITS DE PUBLICITÉ, LES DROITS DE PROPRIÉTÉ INTELLECTUELLE, OU LA PROTECTION DES DONNÉES ET D'AUTRES DROITS À LA VIE PRIVÉE. VOUS NE DEVEZ PAS UTILISER CE PRODUIT POUR LA CHASSE ILLÉGALE D'ANIMAUX, LA VIOLATION DE LA VIE PRIVÉE OU POUR TOUTE AUTRE FIN JUGÉE ILLÉGALE OU PRÉJUDICIALE À L'INTÉRÊT PUBLIC. VOUS NE DEVEZ PAS UTILISER CE PRODUIT POUR TOUTE UTILISATION FINALE INTERDITE, NOTAMMENT LA MISE AU POINT OU LA PRODUCTION D'ARMES DE DESTRUCTION MASSIVE, LA MISE AU POINT OU LA FABRICATION D'ARMES CHIMIQUES OU BIOLOGIQUES, LES ACTIVITÉS DANS LE CONTEXTE LIÉ AUX EXPLOSIFS NUCLÉAIRES OU AU CYCLE DU COMBUSTIBLE NUCLÉAIRE DANGEREUX, OU SOUTENANT LES VIOLATIONS DES DROITS DE L'HOMME. EN CAS DE CONFLIT ENTRE CE MANUEL ET LES LOIS EN VIGUEUR, CES DERNIÈRES PRÉVALENT.

**Ces clauses ne s'appliquent qu'aux produits portant la marque ou l'information correspondante.**

#### **Déclaration de conformité UE**

 Ce produit et, le cas échéant, les accessoires qui l'accompagnent, sont estampillés « CE » et sont donc conformes aux normes européennes harmonisées en vigueur répertoriées sous la Directive 2014/30/UE (EMCD), la Directive 2014/35/UE (LVD), la Directive 2011/65/UE (RoHS) et la Directive 2014/53/UE. Par la présente, Hangzhou Microimage Software Co., Ltd. déclare que cet appareil (se référer à l'étiquette) est conforme à la directive 2014/53/UE. Le texte intégral de la Déclaration de conformité UE est disponible à l'adresse Internet suivante : <https://www.hikmicrotech.com/en/support/download-center/declaration-of-conformity/>.

#### **Bandes de fréquence et puissance (pour la CE)**

Les bandes et modes de fréquence et les limites nominales de la puissance transmise (rayonnée ou par conduction) applicables à ce dispositif radio sont les suivantes : Wi-Fi 2,4 GHz (2,4 GHz à 2,4835 GHz), 20 dBm.



Directive 2012/19/UE (directive DEEE) : dans l'Union européenne, les produits portant ce pictogramme ne doivent pas être déposés dans une déchèterie municipale où le tri des déchets n'est pas pratiqué. Pour un recyclage adéquat, remettez ce produit à votre

revendeur lors de l'achat d'un nouvel équipement équivalent, ou déposez-le dans un lieu de collecte prévu à cet effet. Pour de plus amples informations, visitez le site Web : [www.recyclethis.info](http://www.recyclethis.info).



Directive 2006/66/CE et son amendement 2013/56/UE (directive sur les batteries) : ce produit renferme une pile qui ne doit pas être déposée dans une déchèterie municipale où le tri des déchets n'est pas pratiqué, dans l'Union européenne. Pour plus de précisions sur la pile, reportez-vous à sa documentation. La pile porte le pictogramme ci-contre, qui peut inclure la mention Cd (cadmium), Pb (plomb) ou Hg (mercure). Pour la recycler correctement, renvoyez-la à votre revendeur ou déposez-la dans un point de collecte prévu à cet effet. Pour de plus amples informations, visitez le site Web : [www.recyclethis.info](http://www.recyclethis.info).

### Conformité Industrie Canada ICES-003

Cet appareil répond aux exigences des normes CAN ICES-003 (B)/NMB-003 (B). Cet appareil est conforme aux normes RSS exemptes de licence d'Industrie Canada. Son fonctionnement est soumis aux deux conditions suivantes:

- (1) cet appareil ne doit pas causer d'interférences, et
- (2) cet appareil doit accepter toute interférence reçue, notamment les interférences susceptibles d'occasionner un fonctionnement indésirable de l'appareil.

Cet appareil est conforme aux limites d'exposition au rayonnement IC RSS-102 établies pour un environnement non contrôlé.

### Consignes de sécurité

L'objectif de ces instructions est de garantir que l'utilisateur soit en mesure d'utiliser correctement le produit sans danger ou dommage aux biens. Veuillez lire soigneusement toutes les consignes de sécurité avant d'utiliser l'appareil.

### Lois et réglementations

L'appareil doit être strictement utilisé conformément à la réglementation locale en matière de sécurité électrique.

### Transport

- Gardez l'appareil dans son emballage d'origine ou dans un emballage similaire lors de son transport.
- Veuillez conserver l'emballage de l'appareil pour toute utilisation ultérieure. En cas de panne, vous devrez renvoyer l'appareil à l'usine dans son emballage d'origine.
- Le transport de l'appareil sans son emballage d'origine peut l'endommager, et l'entreprise se dégage de toute responsabilité dans ce cas.
- Ne pas faire tomber le produit ou le soumettre à un choc physique. Éloigner l'appareil d'interférences magnétiques.

### Alimentation électrique

- La tension d'entrée pour l'appareil doit être conforme à celle d'une source d'alimentation limitée (5 V CC, 2 A) selon la norme IEC 61010-1. Veuillez vous

reporter aux produits réels et aux caractéristiques techniques pour obtenir des informations détaillées.

- Vérifiez que la prise est correctement branchée à la prise électrique.
- Pour éviter tout risque de surchauffe ou d'incendie dû à une surcharge, ne reliez PAS plusieurs appareils à un seul adaptateur d'alimentation.

### Batterie

- La batterie rechargeable externe est de type 18650 et sa taille doit être de 19 mm × 70 mm. La tension nominale est de 3,6 V CC et la capacité de la batterie est de 3 200 mAh.
- ATTENTION : Il y a un risque d'explosion lorsque la batterie est remplacée par une batterie de type incorrect. Remplacez-les uniquement par une pile/des batteries identiques ou de type équivalent.
- Les piles de taille inappropriée ne peuvent pas être installées et peuvent provoquer un arrêt anormal.
- Veuillez acheter les batteries recommandées par le fabricant si nécessaire.
- Les batteries achetées par les utilisateurs doivent répondre aux normes internationales applicables à la sécurité des batteries (par exemple, les normes EN/IEC).
- Utilisez une pile fournie par un fabricant qualifié. Reportez-vous aux spécifications du produit pour les détails concernant la pile.
- Éliminez les piles usées conformément aux instructions.
- Retirez la pile si vous ne prévoyez pas d'utiliser l'appareil pendant une longue période.
- En cas de stockage à long terme de la pile, assurez-vous qu'elle est complètement chargée tous les six mois afin d'en conserver la qualité. Dans le cas contraire, elle pourrait se détériorer.
- Assurez-vous que la température de la pile est comprise entre 0 °C et 45 °C lors de la charge.
- Ne jetez pas une pile au feu ou dans un four chaud, ni ne broyez mécaniquement ou découpez une pile, car cela pourrait engendrer une explosion.
- Ne laissez pas une batterie dans un environnement extrêmement chaud ou à faible pression, car vous encourez un risque d'explosion ou une fuite de liquide ou de gaz inflammable.
- Pendant la recharge des batteries, vérifiez qu'il n'y a aucun matériau inflammable à moins de 2 m du chargeur.
- NE placez pas l'appareil avec sa batterie ni la batterie uniquement à proximité de source de chaleur ou de flammes. Ne l'exposez pas à la lumière directe du soleil.
- NE laissez PAS la batterie à portée des enfants.
- N'avez PAS la pile pour éviter les risques de brûlures chimiques.

### Maintenance

- Si le produit ne fonctionne pas correctement, contactez votre revendeur ou le centre de service le plus proche. Nous n'assumerons aucune responsabilité concernant les problèmes causés par une réparation ou une opération de maintenance non autorisée.
- Essuyez délicatement l'appareil à l'aide d'un chiffon propre imbibé d'une petite quantité d'éthanol, si nécessaire.
- Si l'appareil n'est pas utilisé conformément aux indications du fabricant, le dispositif de protection fourni par l'appareil peut être compromis.
- Nettoyez l'objectif à l'aide d'un chiffon doux et sec ou du papier essuie-tout pour éviter de le rayer.

#### **Environnement d'exploitation**

- Assurez-vous que l'environnement d'exploitation répond aux exigences de l'appareil. La température de fonctionnement doit être comprise entre -30 °C et 55 °C et l'humidité de fonctionnement entre 5 % et 95 %.
- N'exposez PAS l'appareil à de puissants rayonnements électromagnétiques ou à des environnements poussiéreux.
- N'orientez PAS l'objectif vers le soleil ou toute autre source de lumière vive.
- Placez l'appareil dans un endroit sec et bien aéré.

#### **Urgence**

Si de la fumée, des odeurs ou du bruit s'échappent de l'appareil, mettez immédiatement l'appareil hors tension et débranchez le câble d'alimentation, puis contactez un centre de réparation.

#### **Adresse de fabrication**

Logement 313, Unité B, Bâtiment 2, 399 Danfeng Road, Sous-district de Xixing, District de Binjiang, Hangzhou, Zhejiang 310052, Chine  
Hangzhou Microimage Software Co., Ltd.

AVIS DE CONFORMITÉ : il est possible que les produits de la série thermique soient soumis à des contrôles d'exportation dans divers pays ou diverses régions, ce qui inclut, sans s'y limiter, les États-Unis, l'Union européenne, le Royaume-Uni ou d'autres pays membres de l'Arrangement de Wassenaar. Veuillez consulter votre expert professionnel en questions juridiques ou en conformité ou les autorités de votre gouvernement local pour toute exigence de permis d'exportation si vous prévoyez de transférer, d'exporter ou de réexporter des produits de la série thermique entre différents pays.

**Español**

#### **AVISOS LEGALES**

EN LA MEDIDA MÁXIMA PERMITIDA POR LAS LEYES APLICABLES, ESTE MANUAL Y EL PRODUCTO DESCRITO –INCLUIDOS SU HARDWARE, SOFTWARE Y FIRMWARE– SE SUMINISTRAN «TAL CUAL» Y «CON TODOS SU FALLOS Y ERRORES». HIKMICRO NO OFRECE GARANTÍAS, EXPLÍCITAS O IMPLÍCITAS, INCLUIDAS, A MODO MERAMENTE ENUNCIATIVO MAS NO LIMITATIVO,

AQUELLAS DE COMERCIALIZACIÓN, CALIDAD SATISFACTORIA O IDONEIDAD PARA UN PROPÓSITO EN PARTICULAR. EL USO QUE HAGA DEL PRODUCTO CORRE BAJO SU ÚNICO RIESGO. EN NINGÚN CASO, HIKMICRO PODRÁ CONSIDERARSE RESPONSABLE ANTE USTED DE NINGÚN DAÑO ESPECIAL, CONSECUENTE, INCIDENTAL O INDIRECTO, INCLUYENDO, ENTRE OTROS, DAÑOS POR PÉRDIDAS DE BENEFICIOS COMERCIALES, INTERRUPCIÓN DE LA ACTIVIDAD COMERCIAL, PÉRDIDA DE DATOS, CORRUPCIÓN DE LOS SISTEMAS O PÉRDIDA DE DOCUMENTACIÓN, YA SEA POR INCUMPLIMIENTO DEL CONTRATO, AGRAVIO (INCLUYENDO NEGLIGENCIA), RESPONSABILIDAD DEL PRODUCTO O EN RELACIÓN CON EL USO DEL PRODUCTO, INCLUSO CUANDO HIKMICRO HAYA RECIBIDO UNA NOTIFICACIÓN DE LA POSIBILIDAD DE DICHOS DAÑOS O PÉRDIDAS.

USTED RECONOCE QUE LA NATURALEZA DE INTERNET IMPLICA RIESGOS DE SEGURIDAD INHERENTES Y QUE HIKMICRO NO TENDRÁ NINGUNA RESPONSABILIDAD POR NINGÚN FUNCIONAMIENTO ANORMAL, FILTRACIONES DE PRIVACIDAD U OTROS DAÑOS RESULTANTES DE ATAQUES CIBERNÉTICOS, ATAQUES DE PIRATAS INFORMÁTICOS, INFECCIONES DE VIRUS U OTROS RIESGOS DE SEGURIDAD PROPIOS DE INTERNET; NO OBSTANTE, HIKMICRO PROPORCIONARÁ EL APOYO TÉCNICO OPORTUNO DE SER NECESARIO. USTED ACEPTA USAR ESTE PRODUCTO DE CONFORMIDAD CON TODAS LAS LEYES APLICABLES Y SOLO USTED ES EL ÚNICO RESPONSABLE DE ASEGURAR QUE EL USO CUMPLA CON DICHAS LEYES. EN ESPECIAL, USTED ES RESPONSABLE DE USAR ESTE PRODUCTO DE FORMA QUE NO INFRINJA LOS DERECHOS DE TERCEROS, INCLUYENDO, A MODO ENUNCIATIVO, DERECHOS DE PUBLICIDAD, DERECHOS DE PROPIEDAD INTELECTUAL, DERECHOS RELATIVOS A LA PROTECCIÓN DE DATOS Y OTROS DERECHOS RELATIVOS A LA PRIVACIDAD. NO USARÁ ESTE PRODUCTO PARA LA CAZA ILEGAL DE ANIMALES, LA INVASIÓN DE LA PRIVACIDAD O CUALQUIER OTRO PROPÓSITO QUE SEA ILEGAL O PERJUDICIAL PARA EL INTERÉS PÚBLICO. NO UTILIZARÁ ESTE PRODUCTO PARA NINGÚN USO FINAL PROHIBIDO, INCLUYENDO EL DESARROLLO O LA PRODUCCIÓN DE ARMAS DE DESTRUCCIÓN MASIVA, EL DESARROLLO O PRODUCCIÓN DE ARMAS QUÍMICAS O BIOLÓGICAS, NINGUNA ACTIVIDAD EN EL CONTEXTO RELACIONADO CON ALGÚN EXPLOSIVO NUCLEAR O EL CICLO DE COMBUSTIBLE NUCLEAR INSEGURO O EN APOYO DE ABUSOS DE LOS DERECHOS HUMANOS. EN CASO DE HABER CONFLICTO ENTRE ESTE MANUAL Y LA LEGISLACIÓN VIGENTE, ESTA ÚLTIMA PREVALECE.

**Estas cláusulas solo se aplican a los productos que lleven la marca o la información correspondiente.**

**Declaración de conformidad de la UE**



 Hikmicro Hunting.Global

 Hikmicro Hunting.Global

 HIKMICRO Outdoor

 HIKMICRO

 [www.hikmicrotech.com](http://www.hikmicrotech.com)

 [support@hikmicrotech.com](mailto:support@hikmicrotech.com)